

J0020 Double Balanced Mixer

0.01 to 1.5 GHz

Technical Characteristics

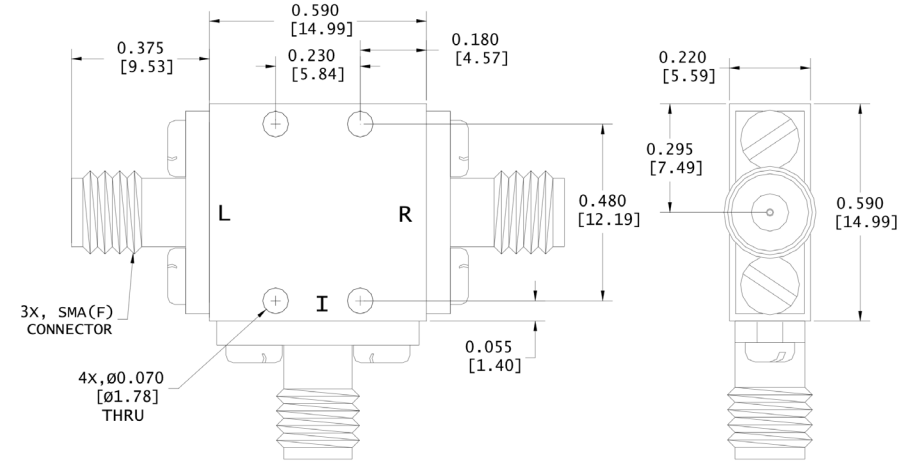


| Product Features | | Maximum Ratings | |
|------------------------------------|--|--------------------------------------|---------------|
| Multi-octave bandwidth | | Storage Temperature | -65 to +150°C |
| Broad frequency - input and output | | Operating Temperature Peak | -55 to +125°C |
| Wide DC to IF frequency response | | Peak Input Power For Any Single Port | +23dBm Peak |
| Low conversion loss | | Peak Input Power For Any Port | +26dBm peak |
| High port-to-port isolation | | Peak Input Current @ +25° C | 100mA |

| Parameters | Freq. (GHz) | Minimum | Typical | Maximum | Units | Conditions |
|----------------------------|-------------|---------|---------|---------|-------|--------------|
| Conversion Loss | | | | | | |
| RF Input | 0.01 to 1.5 | | 7.0 | 8.5 | dB | IF = 100 MHz |
| LO Input | 0.01 to 1.5 | | 8.0 | 9.0 | dB | IF = 600 MHz |
| IF Output | DC to 0.6 | | | | | |
| Conversion Flatness | | | | | | |
| Isolation | | | | | | |
| LO-RF | 0.01 to 1.5 | 30.0 | 40.0 | | dB | |
| LO-IF | 0.01 to 1.5 | 26.0 | 35.0 | | dB | |
| RF-IF | DC to 0.6 | 12.0 | 20.0 | | dB | |
| VSWR | | | | | | |
| 1dB Comp.Point | | | | | | |
| J0020L | | 0.0 | 1.0 | | dBm | |
| J0020M | | 0.0 | 1.0 | | dBm | |
| J0020H | | | 10.0 | | dBm | |
| LO Drive | | | | | | |
| J0020L | | | 7.0 | 8.0 | dBm | |
| J0020M | | | 10.0 | | dBm | |
| J0020H | | | 16.0 | | dBm | |
| Input TOIP | | | | | | |
| J0020L | | | 11.0 | | dBm | |
| J0020M | | | 14.0 | | dBm | |
| J0020H | | | 19.0 | | dBm | |

NOTES:
 1. Measured in a 50 ohm system with nominal LO drive and downconverter application only, unless otherwise specified. The I-port frequency range extends to DC for phase detection, pulse modulation, or attenuator applications. I-port VSWR degrades from a 50 Ω system at LO-IF frequencies.
 2. Typical values are measured at +25°C and are not guaranteed.

Package outline Z



1

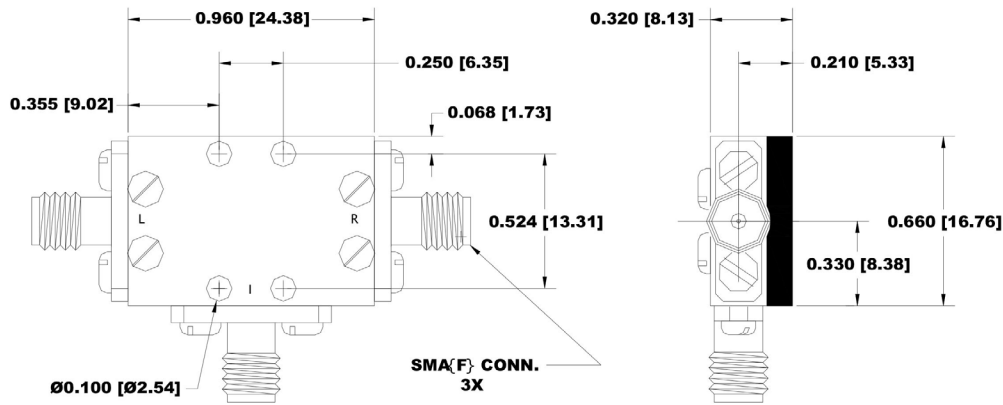
DISCLAIMER: Subject to change without notice.

J0020 Double Balanced Mixer

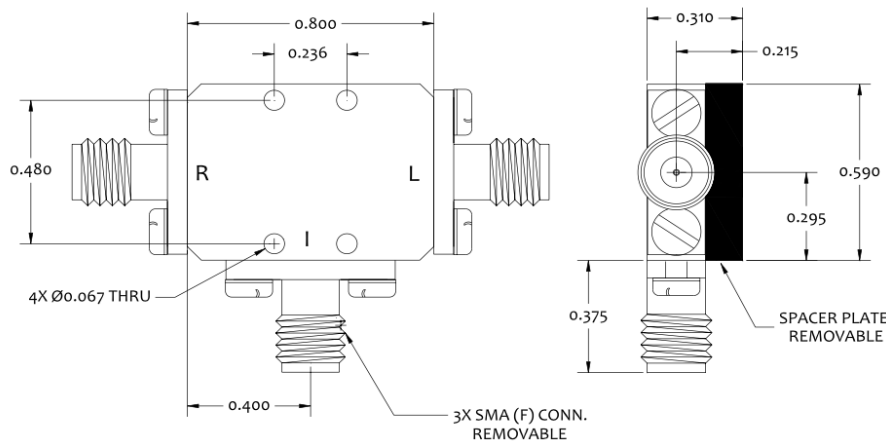
0.01 to 1.5

Outline Drawings 1 of 2

Coaxial Package outline 'B'



Coaxial Package outline 'L'



Coaxial Package outline 'C'

